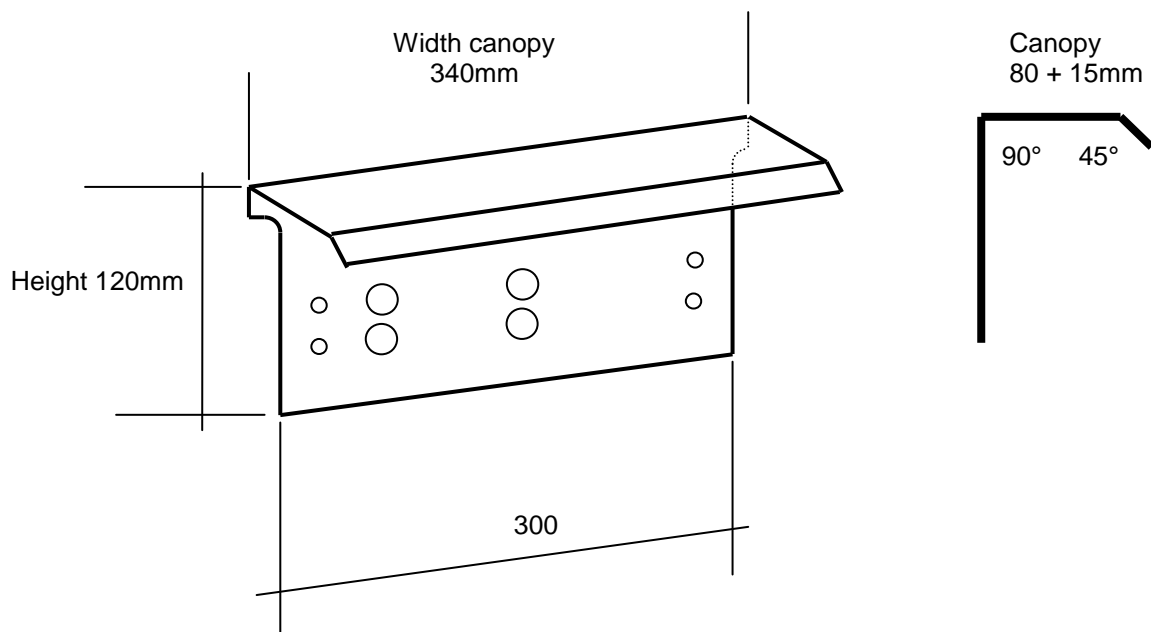


**V2A protection roof for LED illuminated displays LWA-90 and LWA-130**

When the LED illuminated display is used in a **weather-protected** outdoor area, it is protected by the protection roof against a **few raindrops and glare from the sun**.

V2A brushed, 1.5mm and deburred



4 x drill holes 6mm  
4 x drill holes 20mm