



Example of display LWA-130-PL2 in RED for garage entrance
The complete illuminated surface is controlled by one supply line



Example of display LWA-130-PL2 in RED
with bilingual text for extinguishing systems



Example of display LWA-130-PL2RG in RED/YELLOW
with different texts for extinguishing systems



Example of display LWA-130-PL2 YELLOW
for the car industry



Example of display LWA-130-PL2RGN in RED/GREEN
with different texts for extinguishing systems



Example of display LWA-130-PL2GN GREEN
for the electrical industry



Example of display LWA-130-PL2RGN in RED/GREEN
with different texts for courthouse

The complete illuminated surface is
controlled **by one supply line**

The two illuminated surfaces with the different texts and colours
are controlled separately **by two supply lines**

LED illuminated display with super bright LEDs

This LED illuminated display is used, when longer reading distances or two different texts and graphics are required.

The texts can be realized in two languages or also with two different LED colours.

Due to the possibility of two separate controls and two printed different texts or graphics side by side on the illuminated surface, this LED illuminated display offers the advantage, to display different information at different times in a single housing.

For separate control (+24 Vdc), a common ground (GND) is necessary.

Profile housing made of aluminium with a printed front plate and two end caps.

The illumination area is homogenous due to usage of a light stray body, activated by superbright LED-strips with constant current drivers.

The illuminated display does not need any maintenance.

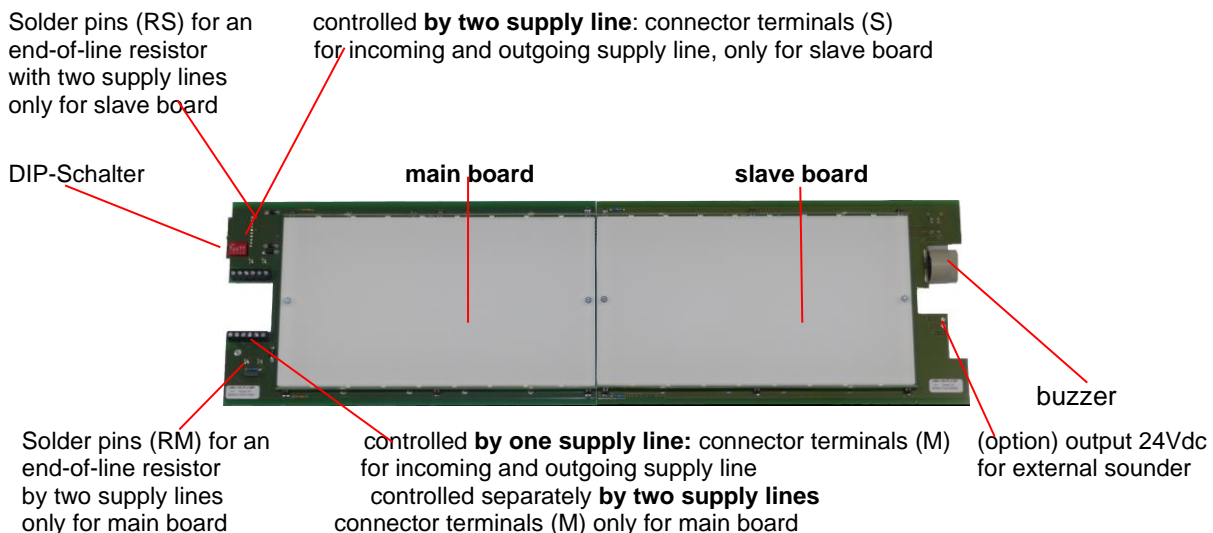
Via a selector switch the indication unit can be set to either constant or flashing display for the complete illumination surface or separately for the left and the right illumination area. The selection of control over one or two supply lines is also done via the selector switch.

An integrated buzzer (approx. 90dB) can be activated for the entire lighting surface or separately for the left and / or right lighting surface.

Optional, an intermitting relay-contact output (max. 1A/24Vdc) is available to drive an external sounder (24Vdc).

Technical Data:**LWA-130-PL2**

colour of housing:	black or white
colour of illumination:	red, yellow, green / red/green, red/yellow
dimensions (W x H x D):	592 x 166 x 35 mm
illuminated area (W x H):	(480 x 130) or 2x (240x130) mm
supply voltage:	19 -29 Vdc
supply current @ 24Vdc constant lightning: (complete illuminated area)	150 mA (red or yellow) 252 mA (green)
supply current @ 24Vdc constant lightning: (half illuminated area)	75 mA (red or yellow) 126 mA (green)
supply current for buzzer (90 dB):	+20mA
supply current for optional relay:	+10mA
self-resetting fuse :	polyswitch
protection class:	IP 50; dust proof; (VdS): -20° .. +40°C (typical): -40° .. +85°C option: sealing profiles IP54 transparent weather protection housing according to IP65

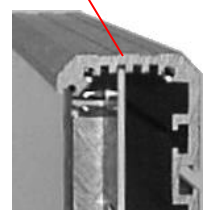
Mounting:

- The profile housing is screwed by 2 screws to the wall or to the pre-mounting socket (M5x10). The cable entry can be done through the hole from behind or through one of the end caps.
- The pcb's (main- and slave board) are inserted into the 4rd slot from the bottom, the connector terminals should be on the left hand side (see above picture). The careful insertion of the two boards will causes the contact via an 8-pol. connector. Below the 6-pol. screw terminals are the solder pins (R) for an end-of-line resistor.
- Supply cable cores 24Vdc and shield is connected to the screw terminals (M). If you use the illumination areas separated, the second supply cable cores and shield is connected to the screw terminals (S). Set the DIP-switches on the main board. Factory setting for the buzzer is: "flashing" and "buzzer OFF", for the illuminated area controlled by one supply line.
- Slide the front plate without the protective folio into the 2.slot of the housing (see right picture).
- End caps are plugged on the profile and secured with the screws.
- Cleaning is done with a damp cloth only. Avoid any aggressive or abrasive cleaners.

Attention:

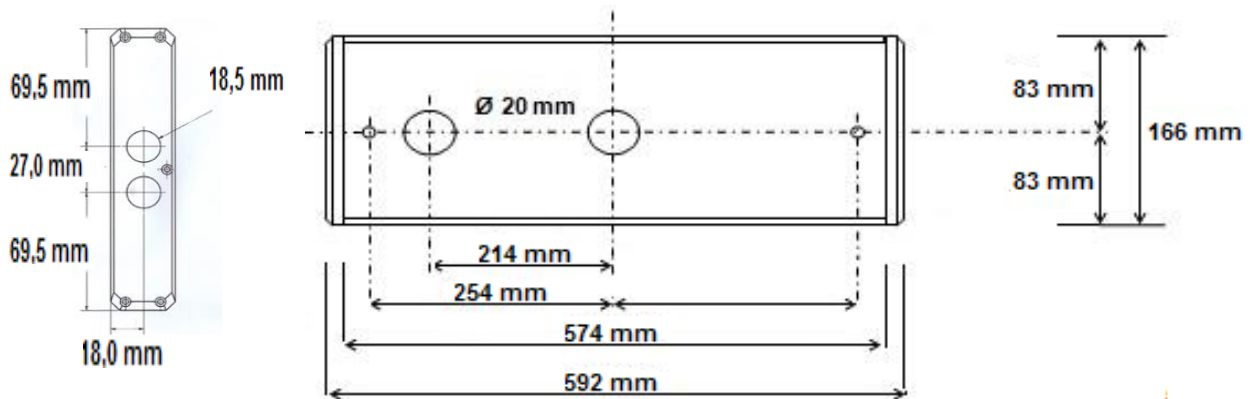
When using the sealing profiles, slide the front plate with its rounded edges forward carefully into the slot of the housing, to avoid damaging the sealing profiles. Please note, that the use of the sealing profiles complicates the insertion of the front panel. An improper installation may result in breakage of the front plate.

4. Slot



Profile housing with two end caps ABS: left 2 holes Ø 18,5 mm with membrane grommets, right unworked

Housing dimensions



Operating variants

Tabelle 1.1: Description of operating variants
(0 = off | X = on)
The complete illuminated surface
Is controlled by one supply line (M)

Tabelle 1.2: Description of operating variants
(0 = off | X = on)
The two illuminated surfaces with
different texts and colours are
controlled separately by
two supply lines (M + S)
a common ground (GND) is necessary

Switch-No. 1 2 3 4 5	Function of master- and Slave board	Switch-No. 1 2 3 4 5	Function of master- and Slave board
X 0 0 X X	Master: flashing display Slave: flashing display	X 0 0 X 0	Master: flashing display Slave: flashing display
0 0 0 0 X	Master: constant display Slave: constant display	0 0 0 0 0	Master: constant display Slave: constant display
0 0 0 X X	Master: constant display Slave: flashing display	0 0 0 X 0	Master: constant display Slave: flashing display
X 0 0 0 X	Master: flashing display Slave: constant display	X 0 0 0 0	Master: flashing display Slave: constant display

DIP-switch 2 is only for ON / OFF function of the buzzer on the master board.

DIP-switch 3 is only for ON / OFF function of the buzzer on the slave board.