

Examples LWA-130 with the illumination colour red, green and yellow; any customer-specific text or graphics can be selected.

**LED illuminated display with super bright LEDs**

Profile housing made of aluminium with a printed front plate and two end caps. The transparent tinted front plate is printing by silk screen or foil on its back with the specific text. The illumination area is homogenous due to usage of a light stray body, activated by superbright LED-strips with constant current drivers. The LED illuminated display does not need any maintenance.

Via a first selector switch the indication unit can be set to either constant or flashing lightning. An integrated buzzer (approx. 90 dB) can be activated by a second selector switch. Optional, an intermitting relay-contact output (max. 1A/24Vdc) is available to drive an external sounder (24Vdc).

Options: (a) protection roof, made of stainless steel; (b) pre-mounting socket, made of stainless steel; (c) weather protection housing for outdoor installation, made of transparent acrylic.

**Technical data:**

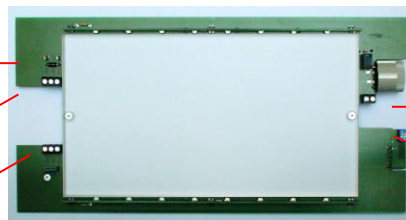
**LWA-130**

|   |  |
|---|--|
| colour of housing:                        | black or white   |
| colour of illumination:                   | red, yellow, green   |
| dimensions (W x H x D) :                  | 346 x 166 x 35 mm  |
| illuminated area (W x H) :                | 240 x 130 mm   |
| supply voltage:                           | 19 - 29 Vdc  |
| supply current @ 24Vdc constant lighting: | 75 mA (red,yellow); 126 mA (green)   |
| supply current average @ 24Vdc flashing:  | 55 mA (red,yellow); 75 mA (green)  |
| supply current for buzzer                 | +20mA  |
| supply current for optional relay         | +10mA  |
| self-resetting fuse:                      | polyswitch   |
| protection class:                         | IP 50; dust proof; (VdS): -20° .. +40°C<br>(typical): -40° .. +85°C                        |
|   | option: sealing profiles IP54,<br>transparent weather protection housing according to IP65 |

**Mounting:**

Solder pins for an end-of-line resistor  
ext. decoupling diode  
is not necessary

connector terminals,  
doubled for coming  
and going cables



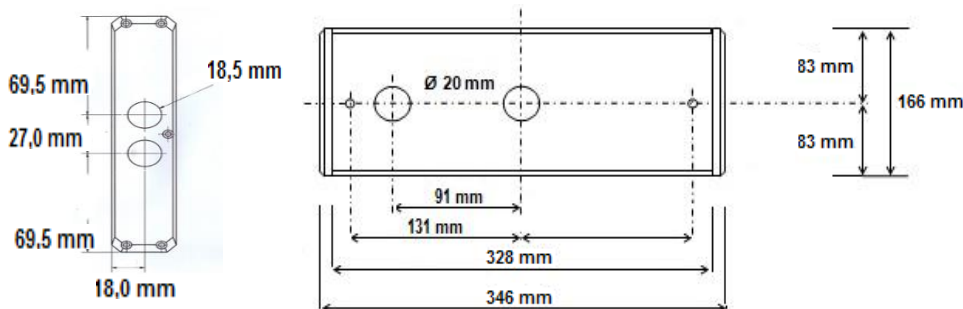
buzzer

(optional) output 24Vdc  
for external sounder

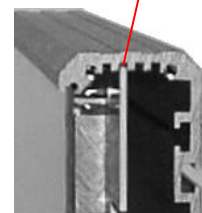
DIP-switch 1:  
constant / flashing

DIP-switch 2:  
buzzer ON / OFF

Profile housing with two end caps ABS: left 2 holes Ø 18.5 mm with lock plugs, right without holes



4. Nut



- The profile housing is screwed by 2 screws to the wall (4,5mmØ) or to the pre-mounting socket (M5x10). The cable entry can be done through the hole from behind or through one of the end caps.
- The pcb is inserted into the 4rd slot from the bottom, the terminals should be on the left hand side (see picture).
- Supply cable cores (+/-24Vdc) and shield is connected to the screw terminals.
- Set the DIP-switches on the right hand side. Factory setting is: "flashing" and "buzzer OFF"
- Slide the front plate without the protective folio into the top slot of the housing.  
(Attention: When using the sealing profiles slide the front plate with its rounded edges forward carefully into the top slot of the housing, to avoid damaging the sealing profiles; ensure that the text is readable.)
- End caps are plugged on the profile and secured with the screws at each end.
- Cleaning is done with a damp cloth only. Avoid any aggressive or abrasive cleaners.